

E228 M

An hybrid stove, for combined wood and pellet use. Automatic switching between the two fuels, with continuous fire. Gentle and clear-cut lines; a modern embodiment of style. Versions with front or lateral air vent. Available in different colours.



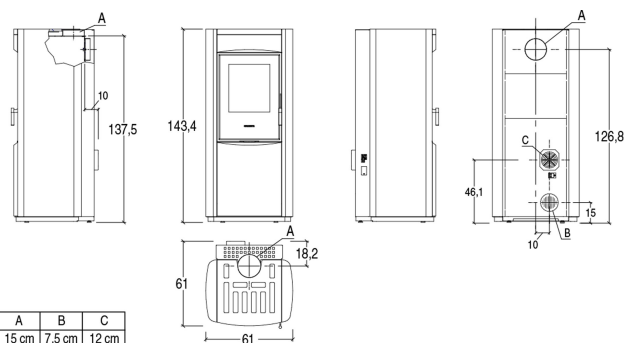
GENERAL FEATURES

- Heating: Natural convection / Ductable forced ventilation
- Natural Mode: yes
- Eco / Energy Saving function: yes / yes
- Timer-controlled thermostat with programming: 6 daily time frames
- Cladding / Top: majolica / majolica
- Radiant Majolica: yes
- One-piece firebox: airtight in steel
- Firebox: cast iron
- Door / Handle: cast iron with ceramic glass resistant to 750°C / steel and silicone
- Flue gas deflector / Brazier: Aluker® / cast iron
- Power levels: 5
- Control panel with digital controls: yes
- Cyclic brazier cleaning: yes
- Glass cleaning: continuous air flow
- Installation: flush with the wall - corner
- Ambient probe for temperature control: as standard feature
- Remote control with LCD display:
- Humidifier: stainless steel
- Multifuoco System®:
- Ash vacuum cleaner: as standard feature
- Standard flue outlet position: top or rear

TECHNICAL DETAILS

- Model E228 M
- Rated thermal efficiency power % 87,0
- Thermal efficiency - min power % 85,1
- Rated output max kW 8,0
- Rated output min kW 3,9
- Rated consumption max kg/h 1,8
- Rated consumption min kg/h 0,9
- Dimensions D cm 61
- Dimensions W cm 61
- Dimensions H cm 143,4
- Weight kg 315

COVERS



PIAZZETTA
FIREPLACES & STOVES

Piazzetta Australia

12 Government Road Eden NSW 2551

www.piazzetta.com.au

sales@piazzetta.com.au

02 64962277