

PELLET HEATER P163T

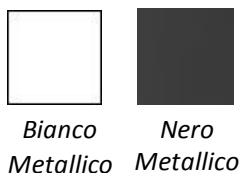


This modern and stylish pellet heater is the perfect heating alternative for the modern home. With a Multifuoco System, ability to be ducted and dual fans this heater offers even heat distribution from floor to ceiling. Whilst the curved façade will make this pellet heater a feature in any room.

Thanks to the Natural Mode, you can turn off the forced air fan to switch to a natural convection operation, which is totally silent.

Available in two sleek modern colours, that will suit any décor. Pellet heating is up to 70% more efficient than traditional wood stoves and has significantly lower emissions levels. It's comfort with a conscience.

COLOUR CHOICE



Bianco

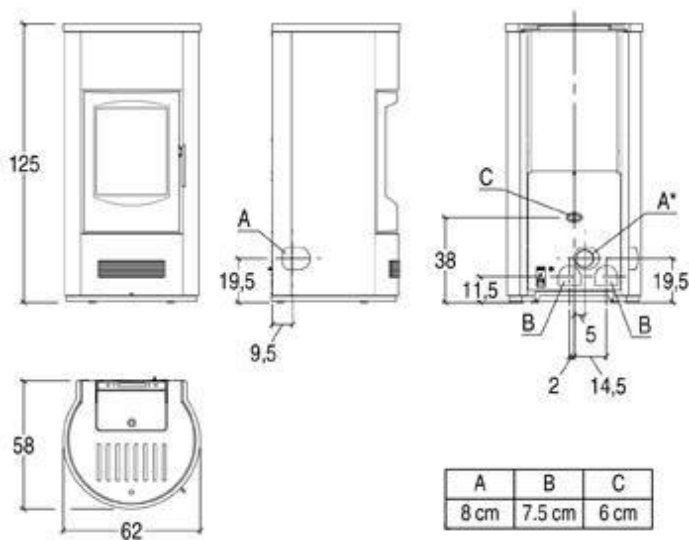
Nero

Metallico

Metallico

WHAT YOU NEED TO KNOW

Pellet heaters like other heaters & stoves need to be installed by a licenced plumber or trained installer. Regular maintenance and cleaning will enhance the performance and life of your heater. We recommend 'RedHot' Pellets for optimum performance.



TECHNICAL DATA

• Firebox heat output kW	12.3
• Nominal heat output (min-max) kW	3.5 – 11.0
• Room heating capacity (min-max) m ³	185 – 315
• Nominal thermal efficiency %	89.3
• Nominal consumption (min – max)	0.8 – 2.4
• Electric power consumption (W)	150 – 430
• Standard flue outlet Ø cm	8
• Hopper Capacity kg	30
• Dimensions W x D x H cm	56 x 52 x 118
• Stove weight kg	140
• Heating	Multifuoco System®
• Fan Speed	4 Level Speeds

GENERAL CHARACTERISTICS

• Cladding	Steel
• Stove	Steel
• Firebox	Cast Iron
• Top	Steel and Majolica
• Baffle Plate	Cast Iron
• Brazier	Cast Iron
• Door	Cast Iron
• Door Handle	Steel w nickel-plate
• Standard Flue Outlet Position	Rear Left
• Optional Flue Outlet Position	Left Side
• Dual Power	No
• Remote Control	Optional
• Humidifier	Optional
• Digital Control Panel	Yes
• Power Levels	4
• Programmable Timer-Thermostat	6 Daily Time Slots
• Ceramic Glass	Resistant to 750°
• Air Glass Cleaning System	Yes
• Pellet Level Sensor	Yes
• Ash Drawer	Removable
• Eco and Energy Function	Yes
• Front Ventilation	Directional Vents
• Ducted Ventilation	Adjustable Vents
• Installation *	Wall - Corner

www.pelletheaterstasmania.com.au



GREAT PRACTICALITY and CONTINUOUS FIRE TECHNOLOGY

Pellets are the ecological fuel par excellence. They are practical, easy to handle and to store and produce heat without harming the environment. Piazzetta pellet stoves guarantee self-regulating capacity as well as practical ignition and programming management.



MULTIFUOCO SYSTEM Perfect warmth from the floor to the ceiling.

Standard on all models, Multifuoco System® is the extraordinary forced ventilation system with various speed settings which, together with many power levels, offers up to 20 combinations of operation. Multifuoco System® allows the heat produced by the stove to be distributed evenly throughout the room and also in adjacent rooms.



DUAL POWER SYSTEM Two independent fans.

To obtain the best warm air flow in various rooms, pellet stoves are fitted with a double fan. The option of the two fans can be modulated separately according to the length of ducting. Therefore you can use the two fans for separate management of different temperatures.

MULTICOMFORT Saving in all comfort.

The LCD remote control with Multicomfort function gives you control over the temperature in the room where the stove is installed or in adjacent rooms. The remote control also acts as a timer thermostat offering weekly, daily and weekend programming options.



REMOTE CONTROL SYSTEM Switching on and off by SMS.

Piazzetta heaters offer an optional remote control system that allows you to control your heater, even when you are away from home, by sending a simple SMS.



CONTINUOUS FIRE More than 46 hours of burn time with 60kg of pellets.

Tests carried out in Piazzetta laboratories have shown that pellet stoves with a high capacity hopper can boast an outstandingly long burn time up to 4 days.



ROBUST CONSTRUCTION Guarantee of sturdiness and durability.

With door, firebox and braziers up to 15 mm thick, Piazzetta's are guaranteed to be structurally robust and durable.



AIR GLASS SYSTEM Ventilated ceramic glass.

Air flows constantly over the ceramic glass, which is heat resistant up to 750°C, and in so doing helps to keep it clean.



EASY CLEANING Maintenance couldn't be easier.

The cyclic system for cleaning the brazier while the stove is in operation optimizes combustion and efficiency. Making routine maintenance when the stove is cold much simpler and more straightforward.



IGNITION TEST Complete cycle test.

To ensure the highest quality, every Piazzetta stove undergoes stringent final testing and inspection before being placed on the market.

ELECTRONIC MONITORING Troubleshooting.

Piazzetta pellet stoves are constantly monitored by the electronic board so that you can always rest assured they are working properly. Any malfunction is shown with easy identifiable messages on the remote control display.



SAFETY Automatic re-start.

Piazzetta's innovative system ensures that in the case of a brief power outage or accidental door opening, the stove, after shut off will re-start automatically without your intervention.



0457 555 883

www.pelletheaterstasmania.com.au