

PELLET STOVES

MELANY



FORCED VENTILATION



HERMETIC



NATURAL HEATING



WIFI BLUETOOTH



TOP FLUE OUTLET / TOP COAXIAL OPTIONAL

GENERAL CHARACTERISTICS

- | | |
|---|---------------------------------------|
| • Heating | forced ventilation |
| • Cladding | painted steel |
| • Top | painted steel |
| • Stove | airtight, steel |
| • Firebox | steel |
| • Baffle plate | Skamolex |
| • Brazier | cast iron |
| • Door | cast iron |
| • Door handle | painted steel, detachable |
| • Standard flue outlet position | rear |
| • Optional flue outlet | RH side - LH side - top - top coaxial |
| • EASY Remote control with LCD display | yes |
| • Control panel with display and digital controls | yes |
| • Power levels | 5 |
| • Ambient probe for temperature control | standard |
| • Programmable timer-thermostat | 6 daily time frames |
| • Warm air outlets | front upper |
| • Humidifier | yes |
| • Ceramic glass | resistant up to 750°C |
| • Glass cleaning system | continuous air flow |
| • Brazier cleaning intervals | yes |
| • Pellet level indicator | yes |
| • Removable ash drawer | yes |
| • Module WiFi- Bluetoothfor App MYSUPERIOR | standard |
| • Energy Saving | yes |
| • Eco Function | yes |
| • Night mode | yes |
| • Pellet Quality System Function | yes |
| • Air Combustion System Function | yes |
| • Installation | wall - corner |

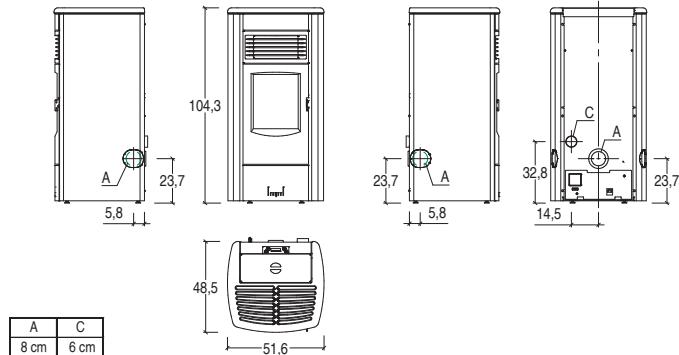
PRODUCT NEWS

- Stove: airtight steel
- Module WiFi- Bluetoothfor App MYSUPERIOR
- Night mode
- Pellet Quality System Function
- Air Combustion System Function
- New top, cladding and door finish: NERO
- EASY Remote control with LCD display: optional
- Top flue kit: optional
- Top coaxial flue kit: optional

Total price including stove and cladding

	MODEL/COLOUR	CODE
Firebox with cladding	BIANCO	S07700100C
	BORDEAUX	S07700200C
	NERO	S07700300C

ACCESSORIES ON REQUEST	CODE
EASY Remote control kit	N08013030C
Right-hand or left-hand side flue kit	N08011035C
Top coaxial flue kit	N08011032C
Top flue kit	N08011034C
Humidifier	N08019020C
Flexible pipe Ø 6 cm for combustion air	N08011017



TECHNICAL DATA

- | | |
|-----------------------------------|--------------------------|
| • Model | MELANY |
| • Type | SP450-02 |
| • Energy efficiency class | A+ |
| • Room heating capacity | m ³ 145 - 245 |
| • Nominal heat output (min - max) | kW 3,3 - 8,5 |
| • Thermal efficiency (min - max) | % 89,3 - 91,2 |
| • Nominal consumption (min - max) | kg/h 0,76 - 1,93 |
| • Standard flue outlet Ø | cm 8 |
| • Hopper capacity | kg 20 |
| • Dimensions W x D x H | cm 51,6 x 48,5 x 104,3 |
| • Stove weight | kg 98 |



PIAZZETTA
FIREPLACES & STOVES

Piazzetta Australia
12 Government Road Eden NSW 2551
www.piazzetta.com.au
sales@piazzetta.com.au
02 64962277