

# PELLET HEATER P985 TH



The P985Th offers both hot water through hydronic heating and ambient warmth for your home. At just a mere 32cm depth, this pellet heater is ideal for anyone seeking a modern and stylish design, without compromising space.

Fully programmable and optional SMS ensures you have control of your home heating. It even tells you when it needs more pellets! Available in a range of great colours, that will suit any décor. Pellet heating is up to 70% more efficient than traditional wood stoves and have significantly lower emissions levels. It's comfort with a conscience.

## COLOUR CHOICE



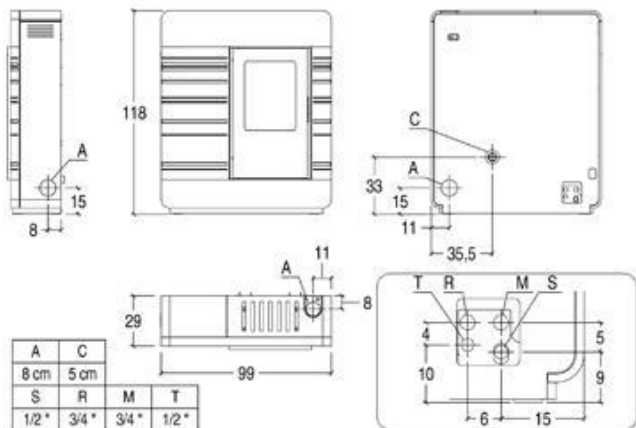
Bianco



Rosso  
Lava

## WHAT YOU NEED TO KNOW

Pellet heaters like other heaters & stoves need to be installed by a licenced plumber or trained installer. Regular maintenance and cleaning will enhance the performance and life of your heater.



## TECHNICAL DATA

• Firebox heat output kW	14.2
• Room heating capacity (min-max) m <sup>3</sup>	5.7 – 13.4
• Thermal output to water (min – max)	3.9 – 10.3
• Nominal thermal efficiency %	94
• Nominal consumption (min – max) kg/hr	1.2 – 2.9
• Electric power consumption (W)	110 – 390
• Standard flue outlet Ø cm	8
• Hopper Capacity kg	18
• Dimensions W x D x H cm	99 x 32 x 118
• Stove weight kg	215

## GENERAL CHARACTERISTICS

• Cladding	Majolica
• Top	Rolling Top
• Stove	Steel
• Boiler	Steel
• Firebox	Steel - Aluker®
• Baffle Plate	Steel
• Brazier	Cast Iron
• Conveyor	Steel
• Heat Exchanger Cleaning System	Rotating Scrapers
• Expansion Tank	Standard
• High Efficiency Water Pump	Standard
• Safety Device	Standard
• Door	Steel – Cast Iron
• Door Handle	Steel w nickel-plate
• Standard Flue Outlet Position	RH: rear, side, top
• LCD Remote	Yes
• Display with Digital Controls	Yes
• Power Levels	16 Automatic power levels based on water temperature
• Programmable timer-thermostat	Daily, weekly, weekend
• Ceramic Glass	Heat Resistant to 750°
• Glass Cleaning System	Air Glass
• Brazier Cleaning Intervals	Automatic Cleaning
• Pellet Level Sensor	Yes
• Ash Vacuum Cleaner	Easy Cleaning System
• Remote Stove SMS Texting	Optional
• Energy Saving	Yes
• Eco Function	Yes
• Installation *	

\* Please refer to instruction manual for detailed installation specifications

